



Gear Drawbar Operator

Heavy Industrial-Duty Door Operator

CHAMBERLAIN IS AN ISO9001:2008 REGISTERED COMPANY



I.C./F.C.C. Certified

Customer _____

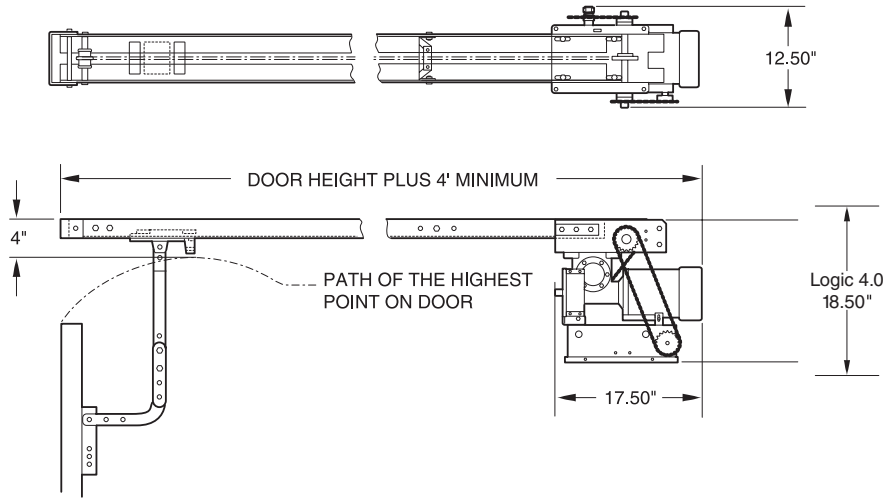
Project _____

Architect/Engineer _____

Contractor _____

Drawing Number _____ Date _____ Sheet _____ of _____

SHOP DRAWING



Specifications for Ordering

1) Supply _____ () LiftMaster Operator(s) Model _____
 _____ HP, _____ Volts, _____ Phase, _____ Hertz _____

2) For _____ wide x _____ high door(s) with _____

3) Supply _____ () OPEN/CLOSE/STOP control station(s) in NEMA _____ enclosure per operator

4) Supply auxiliary and optional equipment as specified below (one per operator unless otherwise noted)

Additional Info

Notes:

- 1) Refer to Model GT product data sheet for general information
- 2) Refer to drawing _____ for wiring diagram

HORSE POWER	MOTOR AMPERAGE RATING				
	VOLTAGE - PHASE - 60Hz				
1/2	115-1Ø	230-1Ø	230-3Ø	460-3Ø	575-3Ø
3/4	11.2	5.6	3.1	1.4	1.2
1	11.2	5.6	3.1	1.4	1.2
1	13.6	6.8	4.0	1.8	1.4
1-1/2	17.5	8.7	6.6	5.0	2.4

Manufactured by:
 The Chamberlain Group, Inc.
 845 Larch Avenue • Elmhurst, Illinois 60126
For More Information:
 call (800) 323-2276
 visit www.liftmaster.com or
<http://specs.liftmaster.com/architectscorner>



GARAGE DOORS

LiftMaster®

Commercial Door Operators